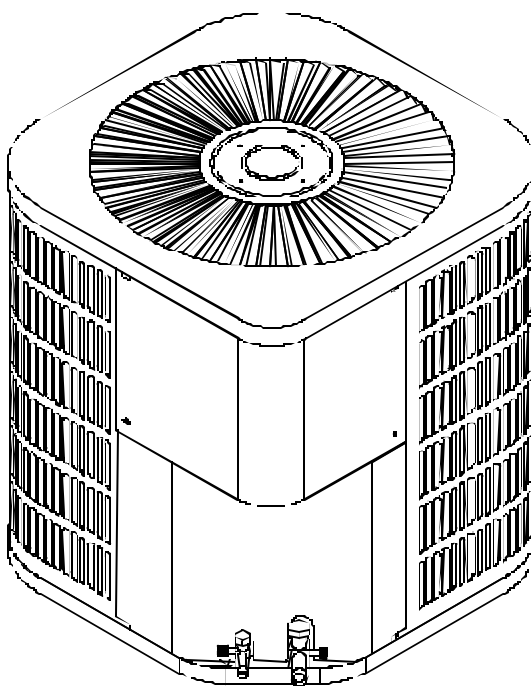




REPAIR PARTS

CKLB-*L 10 SEER Condensing Unit with One or Two Piece Louvers, Gray Color Models

CKLB18-1L
CKLB24-1L
CKLB30-1L
CKLB36-1L



RP - 337
October 2004

Made in the USA by:
Goodman Manufacturing Company, L.P.
2550 North Loop West, Suite 400
Houston Texas 77092

This manual is to be used by qualified technicians only.

Copyright © 2004 Goodman Manufacturing Company, L.P.

Index

Functional Parts List	5
Illustration and Parts	6 - 9

Views shown are for parts illustrations only, not servicing procedures.

Text Codes:

AR - As Required

NA - Not Available

NS - Not Shown

00000000 - See Note

QTY - Quantity Example (QTY 3) (If Quantity not shown, Quantity = 1)

M - Model Example (M1) (If M Code not shown, then part is used on all Models)

Expanded Model Nomenclature:

Example
M1 - Model#1
M2 - Model#2
M3 - Model#3

Important Information

Goodman Manufacturing Company, L.P. is not responsible for personal injury or property damage resulting from improper service. Review all service information before beginning repairs.

Warranty service must be performed by an authorized technician, using authorized factory parts. If service is required after the warranty expires, Goodman Manufacturing Company, L.P. also recommends contacting an authorized technician and using authorized factory parts.

For assistance within the U.S.A. contact:

Consumer Affairs Department
Goodman Manufacturing Company, L.P.
7401 Security Way
Houston, Texas 77040
877-254-4729-Telephone
713-863-2382-Facsimile

For assistance outside the U.S.A. contact:

International Division
Goodman Manufacturing Company, L.P.
7401 Security Way
Houston, Texas 77040
713-861-2500-Telephone
713-863-2382-Facsimile

This page left blank intentionally.

Functional Parts

Part

No: Description:

B94576000	CAPACITOR, DUAL, 25/5/370 (M1)
B94578700	CAPACITOR, DUAL, 30/5/370 (M2)
B94575300	CAPACITOR, DUAL, 35/5/370 (M3)
B94577400	CAPACITOR, DUAL, 50/5/370 (M4)
CR16KFPFV930	COMPRESSOR, CR16KF-PFV-230 (M1)
CR22KFPFV930	COMPRESSOR, CR22KF-PFV-230 (M2)
CR28K6PFV920	COMPRESSOR, CR28K6-PFV-220 (M3)
CR34K6PFV920	COMPRESSOR, CR34K6-PFV-220 (M4)
1262102	CRATED COND. SERVICE COIL W/DRIER (M2, M3)
1262119	CRATED COND. SERVICE COIL W/DRIER (M4)
1262101	CRATED COND. SERVICE COIL W/DRIER (M1)
B1219212	DRIER, FILTER
B1086771S	FAN BLADE, 3 BLADES, 18", 32° PITCH
B13400348	MOTOR, CONDENSER, 1/6 HP, 208/230-60-1 840 RPM

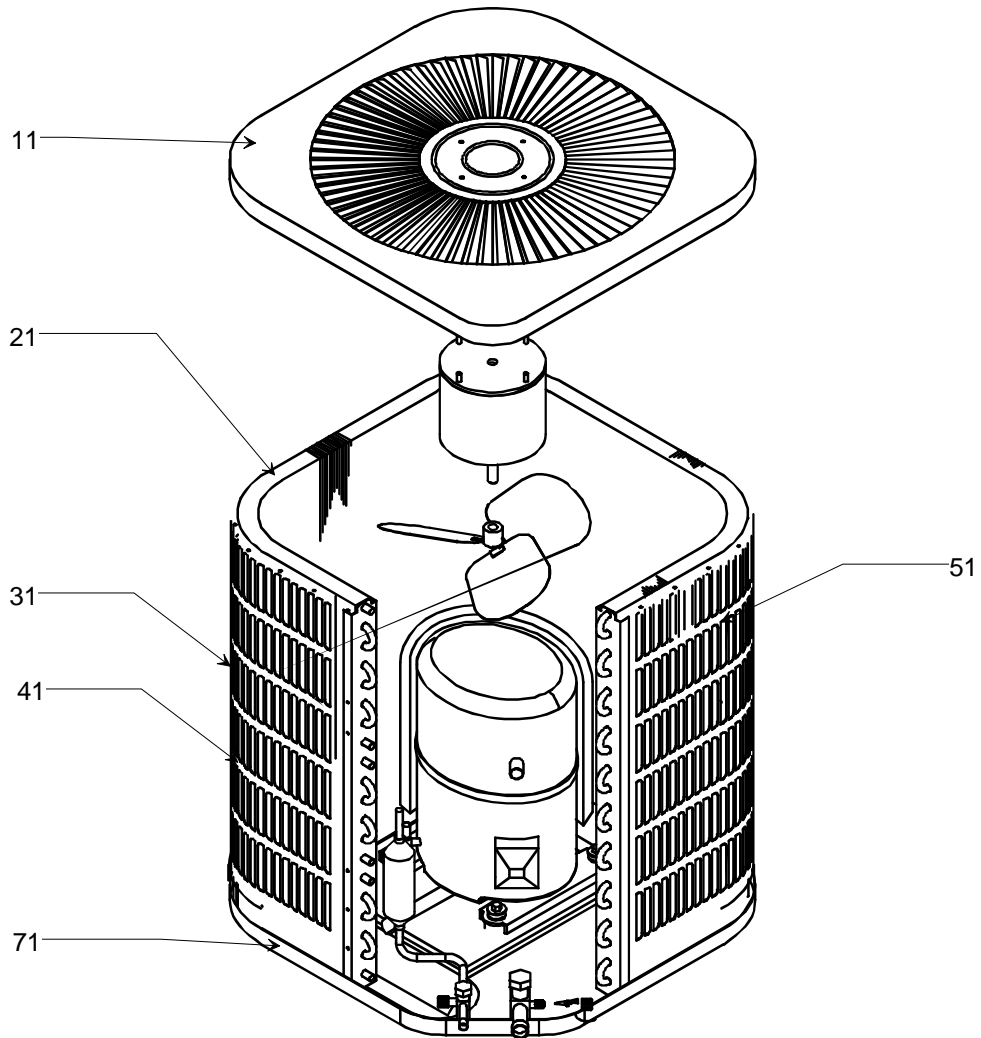
SPECIAL PARTS

IO-101	INSTALLATION AND OPERATIONS MANUAL
RP-337	REPAIR PARTS MANUAL
SS-273	SPECIFICATION SHEET
B2060S8292	SPRAY PAINT, TOUCH-UP, GRAY

Expanded Model Nomenclature

M1 - CKLB18-1L
M2 - CKLB24-1L
M3 - CKLB30-1L
M4 - CKLB36-1L

Outer Chassis



Outer Chassis

Ref. Part No:	No:	Description:	Ref. Part No:	No:	Description:
---------------	-----	--------------	---------------	-----	--------------

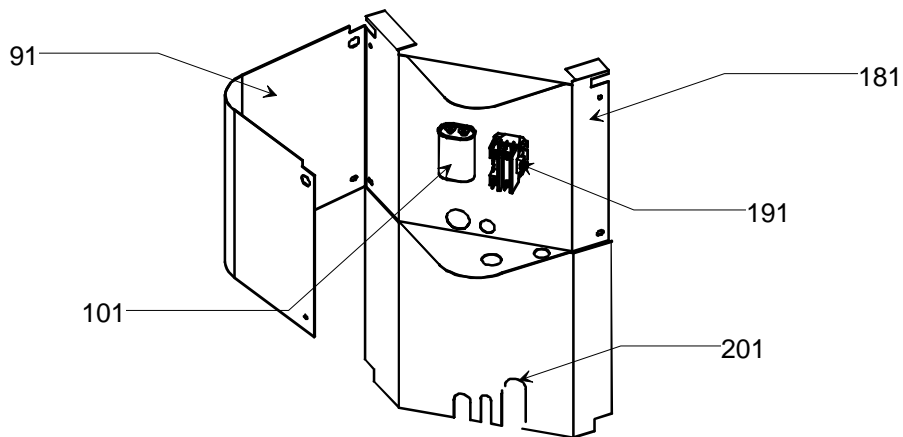
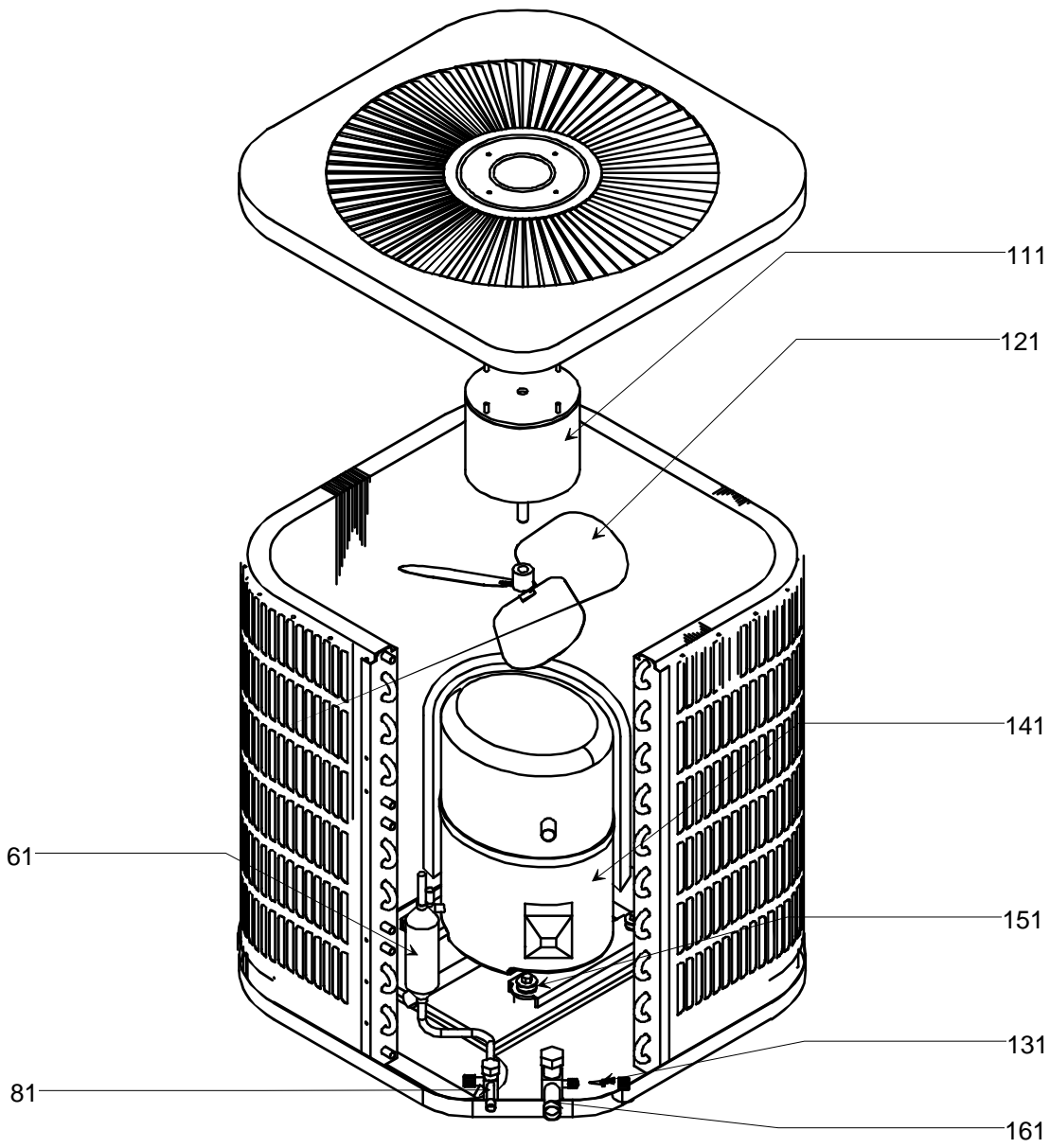
Image 1:

11	1779405PDG	PANEL, TOP LOUVERED
21	1262101	CRATED COND. SERVICE COIL W/DRIER (M1)
21	1262102	CRATED COND. SERVICE COIL W/DRIER (M2, M3)
21	1262119	CRATED COND. SERVICE COIL W/DRIER (M4)
31	1259574PDG	GRILLE, LOUVERED, 22.5", ONE PIECE (M1, M2, M3)
41	1259552PDG	PANEL, LOUVERED, HAIRPIN SIDE, 27.5" (M4)
51	1259557PDG	PANEL, LOUVERED, RETURN SIDE, 27.5" (M4)
71	1787211PDG	BOTTOM PAN ASSEMBLY
NS	B9102098	3/8" VALVE CAP WITH O-RING, 100 IN A PACK
NS	B2060S8292	SPRAY PAINT, TOUCH-UP, GRAY

Expanded Model Nomenclature

- | |
|----------------|
| M1 - CKLB18-1L |
| M2 - CKLB24-1L |
| M3 - CKLB30-1L |
| M4 - CKLB36-1L |

Internal Components & Control Box



Internal Components & Control Box

Ref. Part No:	Ref. Part No:	Description:	Description:
---------------	---------------	--------------	--------------

Image 1:

61	B1219212	DRIER, FILTER
81	B1282580	BASE VALVE, LIQUID LINE, 3/8" X 5/16"
91	1787624PDG	CONTROL BOX COVER
101	B94576000	CAPACITOR, DUAL, 25/5/370 (M1)
101	B94578700	CAPACITOR, DUAL, 30/5/370 (M2)
101	B94575300	CAPACITOR, DUAL, 35/5/370 (M3)
101	B94577400	CAPACITOR, DUAL, 50/5/370 (M4)
111	B13400348	MOTOR, CONDENSER, 1/6 HP, 208/230-60-1 840 RPM
121	B1086771S	FAN BLADE, 3 BLADES, 18", 32° PITCH
131	B1787000	CORE, VALVE
141	CR16KFPFV930	COMPRESSOR, CR16KF-PFV-230 (M1)
141	CR22KFPFV930	COMPRESSOR, CR22KF-PFV-230 (M2)
141	CR28K6PFV920	COMPRESSOR, CR28K6-PFV-220 (M3)
141	CR34K6PFV920	COMPRESSOR, CR34K6-PFV-220 (M4)
151	B1339530	GROMMET, COMPRESSOR, (QTY 4)
161	B1282581	BASE VALVE, SUCTION LINE, 3/4" X 3/4"
181	1787623	CONTROL BOX
191	B1360321	CONTACTOR, 25 AMP, 1 POLE, 24V
201	1787706PDG	ACCESS PANEL, 22.5" (M1, M2, M3)
201	1787708PDG	ACCESS PANEL, 27.5" (M4)
NS	B1219301	MUFFLER, 1/2" X 1/2" (M3, M4)

Expanded Model Nomenclature

M1 - CKLB18-1L
M2 - CKLB24-1L
M3 - CKLB30-1L
M4 - CKLB36-1L